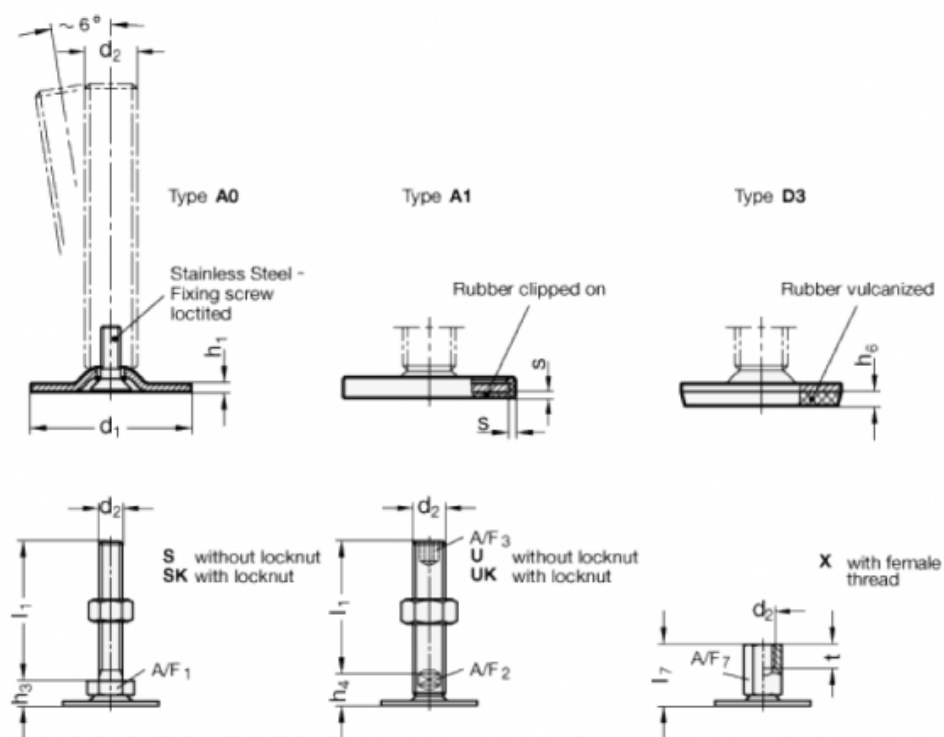


# Data Sheet



Article number: 204060M1232A3X  
 Description: E+G levelling foot  
 GN 40-60-M12-32-A3-X  
 Note: X With female thread, External hexagon

## Measures



- A/F7 = 17
- d1 = 60
- d2 = M12
- h1 = 2.5
- h6 = 4.5
- l7 = 32
- s =
- t = 12